

400 Ton / 60 Metre



GROVE | GMK6400



400 t



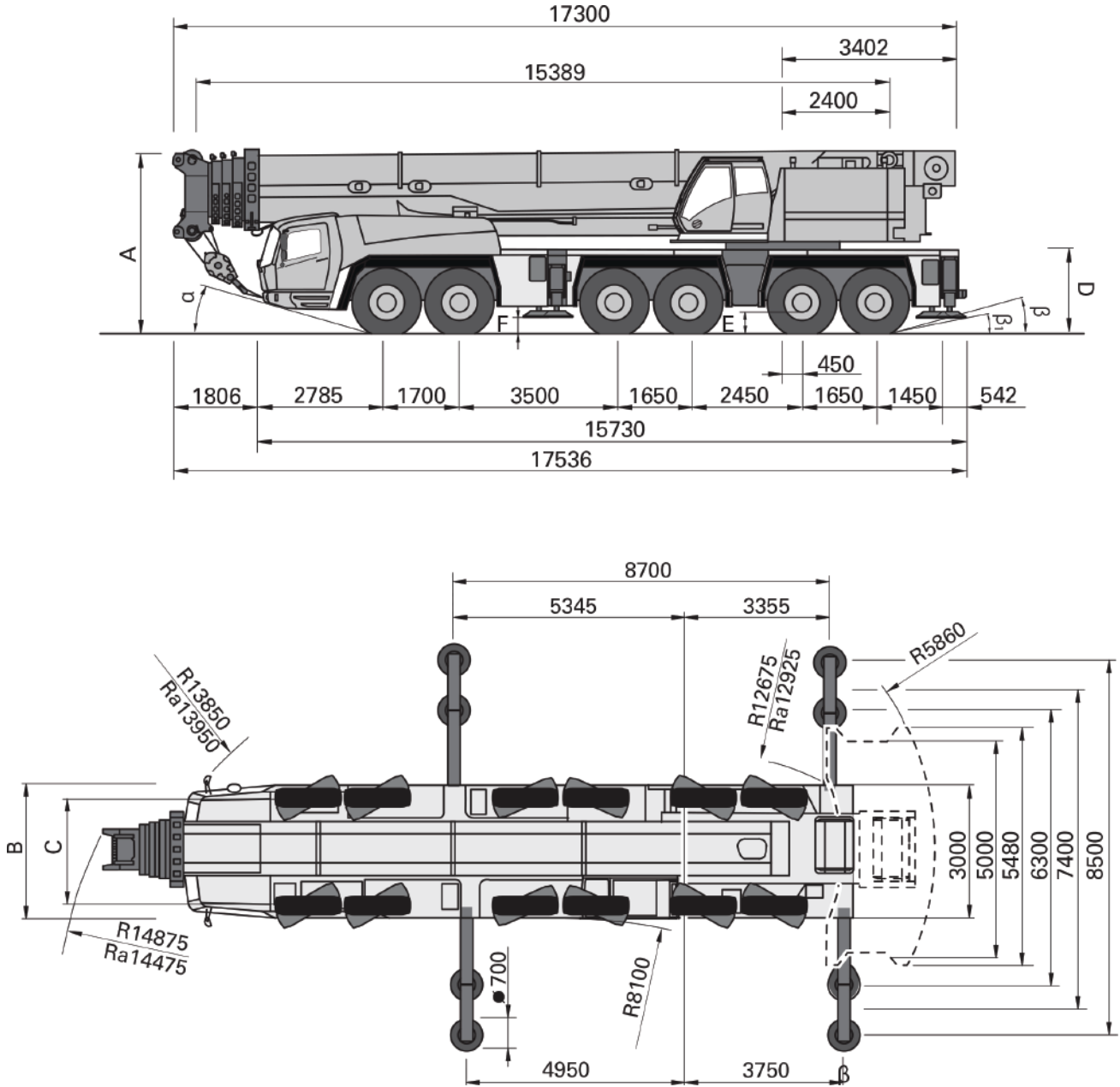
60 m



12-79 m



136 m



**Radius all wheels steered

⊙	A		B	C	D	E	F	
	A	130 mm**						
14.00 R25	3956	3826	2970	2570	1815	400	209	
16.00 R25	4000	3870	2975	2510	1865	450	260	
20.5 R25	4000	3870	3070	2530	1865	450	260	

**Lowered



34,99 - 60,00 m



8,5 m



360°

